

Catino Tondo

catino tondo 50 con piano
catino tondo 50 with bottom shelf

cielo
handmade in Italy



PESO NETTO/NET WEIGHT: 9,65 Kg (lavabo/washbasin) + 15,50 Kg (struttura/framework) + 5,25 Kg (piano in ceramica/ceramic shelf)/ 9,00 Kg (piano in marmo/marble shelf)

ACCESSORI/ACCESSORIES:

PIL01 - Piletta universale click-clack CROMO con coperchio in ceramica / Universal click-clack drain in CHROME with ceramic lid
PIL01NM - Piletta universale click-clack NERO MATT con coperchio in ceramica / Universal click-clack drain in MATT BLACK with ceramic lid
PIL01BR - Piletta universale click-clack BRONZO con coperchio in ceramica / Universal click-clack drain in BRONZE with ceramic lid
PIL01CM - Piletta universale click-clack CEMENTO con coperchio in ceramica / Universal click-clack drain in CEMENTO with ceramic lid

SISP - Sifone CROMO / CHROME siphon
SIFN - Sifone NERO MATT / MATT BLACK siphon
SIFBR - Sifone BRONZO / BRONZE siphon
SIFCM - Sifone CEMENTO / CEMENTO siphon

FINITURE LAVABO / PIANO

WASHBASIN / BOTTOM SHELF FINISHES

○ Bianco/white - glossy

Le Terre di Cielo

○ Talco	● Arenaria
○ Pomice	● Avena
○ Brina	● Lino
● Basalto	● Agave
● Lavagna	● Muschio
● Cemento	● Polvere
● Fango	● Cipria
● Cacao	● Canapa

FINITURE STRUTTURA

FRAMEWORK FINISHES

verniciature_coatings

● Nero Matt
● Bronzo Spazzolato
● Cemento

FINITURE PIANO IN MARMO

MARBLE BOTTOM SHELF FINISHES

○ Bianco Carrara Gioia
● Nero Marquina

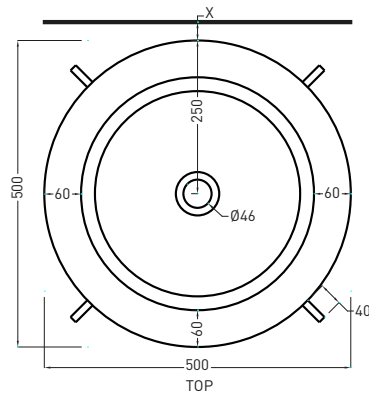
NOTE/NOTES

Lavabo in ceramica; Piano in ceramica o marmo; Struttura in acciaio verniciato
Wasbasin made of ceramic; Bottom shelf made of ceramic or marble; Frame made of painted stainless steel.

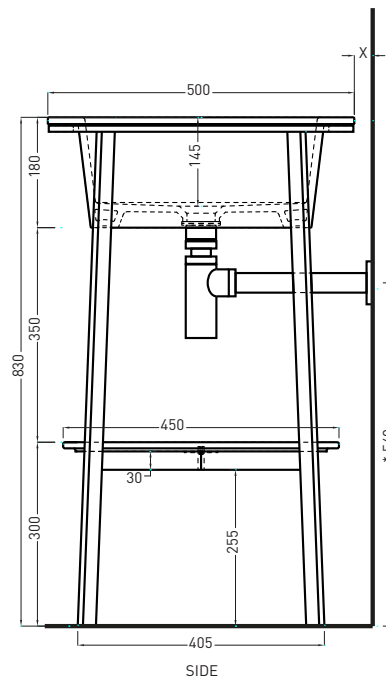
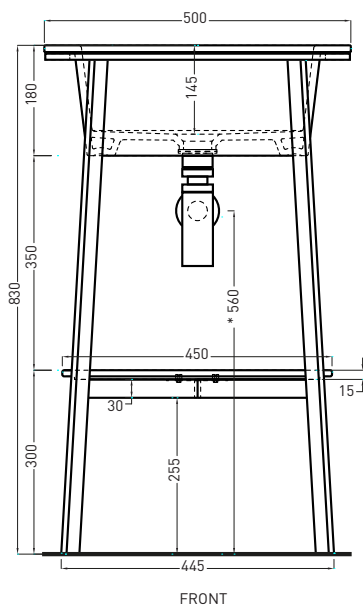


DoP No. 14688.01

Settembre 2019



X. Distanza consigliata da parete dai 30mm ai 50mm
X. Advised distance from the wall from 30mm to 50mm



* WATER OUTLET WITH art. SIFTIB / SIFN

ATTENZIONE: Superfici, pesi e misure riportate possono presentare leggere differenze rispetto ai pezzi reali, in considerazione e accordo delle caratteristiche di tolleranza intrinseche del materiale ceramico e del suo processo produttivo. L'azienda si riserva di cambiare schede tecniche e caratteristiche di funzionamento degli articoli in ogni momento e senza necessità di preavviso.

ATTENTION: Surfaces, weights and dimensions can show some little differences compared to the real item, following typical intrinsic characteristics of ceramics material and production. The company reserves the right to change any technical specifications/dimension and/or operating characteristics of the products at any time and without giving notice.